



F Series

Inspection Slitter Rewinder for Film and PS Labels

KOR Engineering Inc.



FW6-770 Inspection Slitter Rewinder (30in) with semi-automatic roll unloader

STANDARD FEATURES

- Cantilevered unwind with roll lifter
- Stroboscope inspection
- Overhead waste rewind
- Automatic web guide for edge guiding
- 2-in-1 Razor and rotary shear slitter cartridge
- Layon rollers for winding in gap or contact mode
- 24" duplex rewind with lifting front supports

PERFORMANCE UPGRADES

- High speed, low inertia idler rollers
- Vision system integration c/w auxiliary web guide
- Automatic web guide for line guiding
- High performance razor and rotary shear slitter cartridges
- Trim exhaust for gutter and edge removal
- Differential rewind shafts
- Semi-automatic roll unloader at rewind

FLEXIBILITY AND HIGH SPEED FINISHING

Size, control and high speed defect placement allow one operator to Inspect, Edit, Slit and Rewind a variety of substrates – from PS labels to shrink sleeves and flexible packaging – in one efficient step. In addition, the ergonomic loader and unloader, horizontal viewing and editing area are packaged in a small foot print making the F Series rewinder a welcome addition to any finishing department.

Inspect + Edit + Slit + Rewind ■



F Series

Inspection Slitter Rewinder for Film and PS Labels

KOR Engineering Inc.

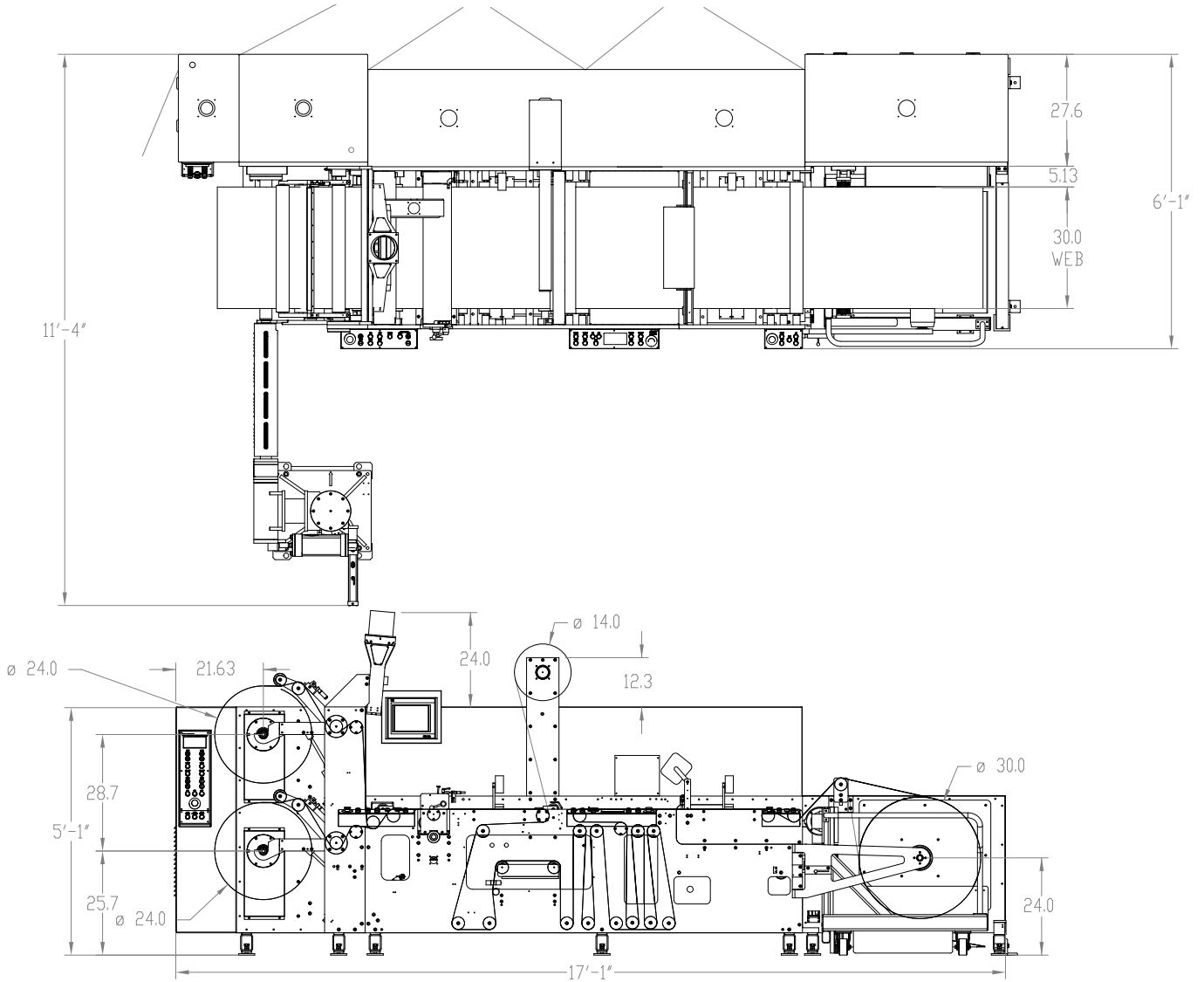


Figure 1 FW6-770 Floor plan

Web Width	18, 22, 26, 30 inch / 460, 560, 660, 770 mm
Unwind Capacity	40 in OD / 1000 mm OD
Duplex Rewind Capacity	2 x 24 in OD / 2 x 610 mm OD
Waste Rewind Capacity	14 in OD / 360 mm OD
Max. Operating Speed	1500 fpm / 450 m/min
Power Requirements	460 VAC, 3 ϕ , 50A, 60 Hz / 380 VAC, 3 ϕ , 50A, 50 Hz